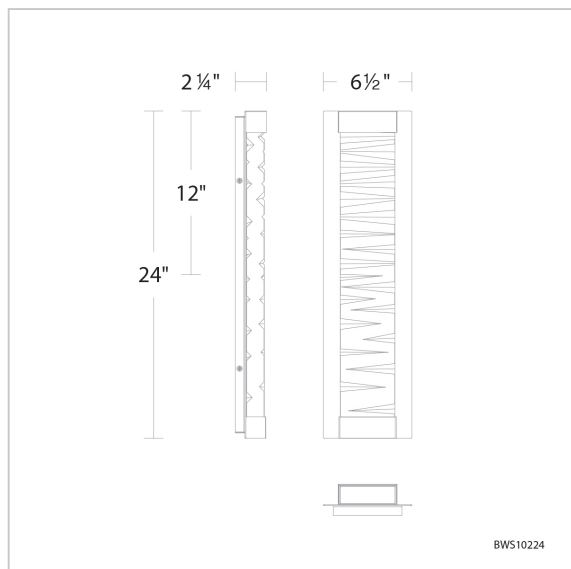


Echelon

BWS10224



LINE DRAWING



Project:

Location:

Fixture Type:

Catalog Number:

DESCRIPTION

A faceted abstract design of solid Optic Crystal. Hidden LEDs illuminate the crystal internally and also provide downlight for wayfinding on this interior wall sconce.

FEATURES

- Built in color temperature adjustability. Switch from 3000K/3500K/4000K. Switch may be installed in junction box.
- Ambient and down light illumination..
- Can be mounted on wall in all orientations

CRYSTAL OPTIONS



Optic Crystal
(O)

FINISH OPTIONS



Polished
Nickel
(-PN)



Black
(-BK)

SPECIFICATIONS

| | |
|--------------|--------------------|
| Light Source | LED |
| CRI | 90 |
| Dimming | ELV, Triac |
| Standards | ETL/cETL, Title 24 |

REPLACEMENT PARTS

RPL-GLA-10224 - Replacement Crystal

| Model | Crystal | Finish | Size | CCT | Voltage | Wattage | Weight | LED Lumens | Delivered Lumens |
|----------|---------|-----------|------|-----------------------|---------|---------|---------|------------|------------------|
| BWS10224 | O | - BK - PN | 24" | 3000K/3500K/ 4000K | 120V | 17W | 18.7lbs | 593 | Up To 513 |

Example: BWS10224-PN