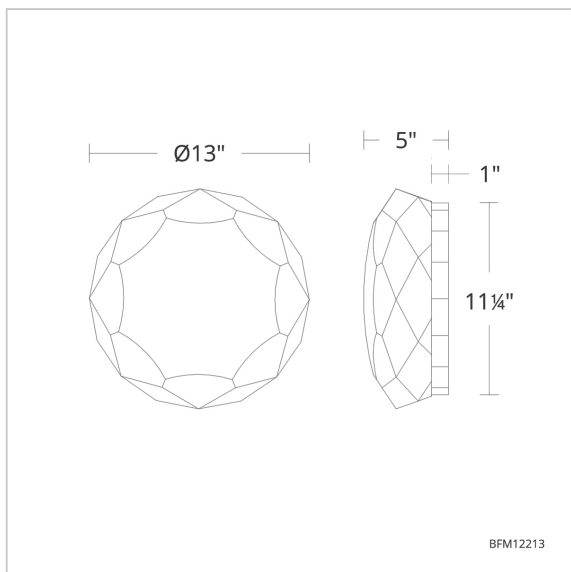


Carat

BFM12213



LINE DRAWING



Project:

Location:

Fixture Type:

Catalog Number:

DESCRIPTION

Ravishing, multifaceted and as brilliant as an engagement ring. Thick Schonbek Optic Crystal creates an impressive luminous shade embraced by a chiseled complementary frame. High quality LEDs deploy optimal ambient illumination.

FEATURES

- Built in color temperature adjustability. Switch from 3000K/3500K/4000K. Switch may be installed in junction box.
- Can be mounted on ceiling or wall in all orientations
- Driver concealed within the fixture

CRYSTAL OPTIONS



Optic Crystal
(O)

FINISH OPTIONS



Polished
Nickel
(-PN)

SPECIFICATIONS

Light Source	LED
CRI	90
Dimming	ELV,0-10V, Triac
Standards	ETL/cETL, Title 24

REPLACEMENT PARTS

RPL-GLA-12213 - Replacement Outer Shade

Model	Crystal	Finish	Size	CCT	Voltage	Wattage	Weight	LED Lumens	Delivered Lumens
BFM12213	O	- PN	13"	3000K/3500K/ 4000K	120V-277V	23W	17.3lbs	2286	Up To 2062

Example: BFM12213-PN