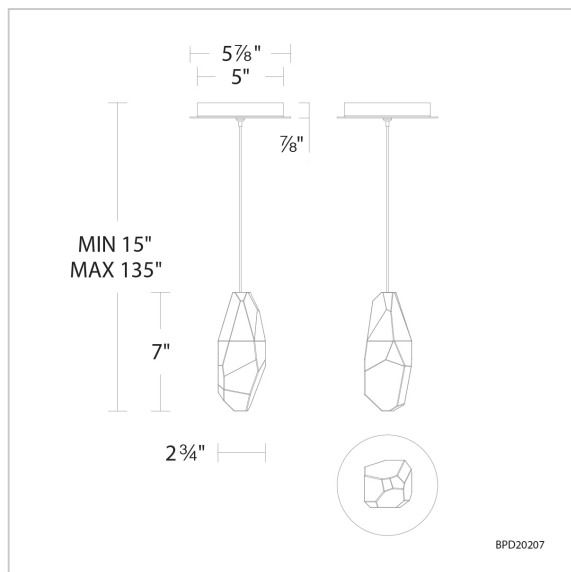


Martini

BPD20207



LINE DRAWING



Project:

Location:

Fixture Type:

Catalog Number:

DESCRIPTION

A shower of jewels. Suspended in mid-air, Schonbek Optic Crystal and Optic Haze Quartz elements composed of natural quartz gemstone illuminate at varying heights to entice. Cascading from above and perfectly designed to make a powerful yet elegant statement.

FEATURES

- Optic Haze™, made of natural quartz, has unique variations in luster, hue, patterning and texture inherent to this material. When illuminated, the dimension of the crystal is beautifully accented.
- Built in color temperature adjustability. Switch from 3000K/3500K/4000K. Switch may be installed in junction box.
- Thin powered aircraft cables provide an ultra clean look for adjustable suspension height.
- Spin-on round canopy with minimal hardware
- Can be mounted on a sloped ceiling.
- Driver concealed within the fixture

CRYSTAL OPTIONS



Optic Haze
Quartz
(OH)



Optic Crystal
(O)

FINISH OPTIONS



Polished
Nickel
(-PN)



Aged Brass
(-AB)



Black
(-BK)

SPECIFICATIONS

Light Source	LED
CRI	90
Dimming	ELV, Triac
Standards	ETL/cETL, Title 24

REPLACEMENT PARTS

RPL-GLA-20207OH - Optic Haze Replacement Crystal
RPL-GLA-20207O - Optic Replacement Crystal

Model	Crystal	Finish	# of Lights	CCT	Voltage	Wattage	Weight	LED Lumens	Delivered Lumens
BPD20207	OH O	- AB - BK - PN	1 Light	3000K/3500K/ 4000K	120V/277V	8W	4.2lbs	657	Up To 490

Example: BPD20207OH-PN