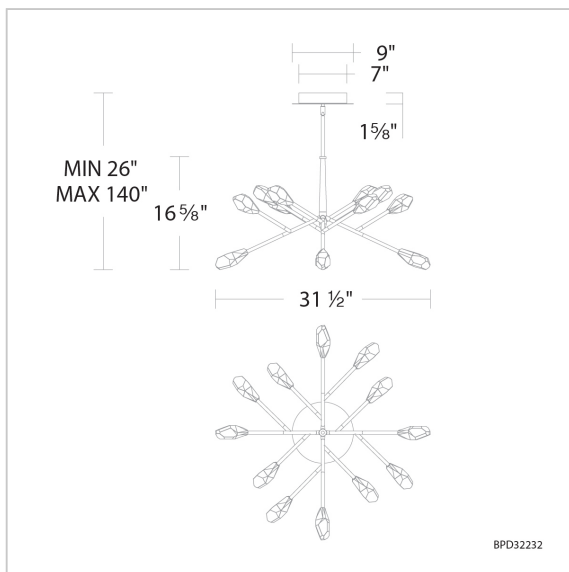


Synapse

BPD32232



LINE DRAWING



Project:

Location:

Fixture Type:

Catalog Number:

DESCRIPTION

Connect with the sculptural elegance of this modern crystal chandelier. Synapse features Schonbek Optic Haze Quartz composed of natural quartz gemstone. This exquisite 12 light chandelier is both current and luxurious. Hidden behind each crystal element, a high-tech LED illuminates generously for beautiful ambient illumination for all to see. A head-turner that will dazzle in entryways and other important spaces.

FEATURES

- Optic Haze™, made of natural quartz, has unique variations in luster, hue, patterning and texture inherent to this material. When illuminated, the dimension of the crystal is beautifully accented.
- Built in color temperature adjustability. Switch from 3000K/3500K/4000K. Switch may be installed in junction box.
- Three 12" and one 6" down rods included (additional sold separately)
- Hangstraight swivel.
- Can be mounted on a sloped ceiling.
- Driver concealed within the fixture

CRYSTAL OPTIONS



Optic Haze
Quartz
(OH)

FINISH OPTIONS



Aged Brass
(-AB)



Black
(-BK)

SPECIFICATIONS

Light Source	LED
CRI	90
Dimming	ELV,0-10V, Triac
Standards	ETL/cETL, Title 24

REPLACEMENT PARTS

RPL-GLA-32232 - Replacement Optic Haze

Model	Crystal	Finish	Size	CCT	Voltage	Wattage	Weight	LED Lumens	Delivered Lumens
BPD32232	OH	- AB - BK	32"	3000K/3500K/ 4000K	120V-277V	32W	29lbs	2894	Up To 1557

Example: BPD32232-AB