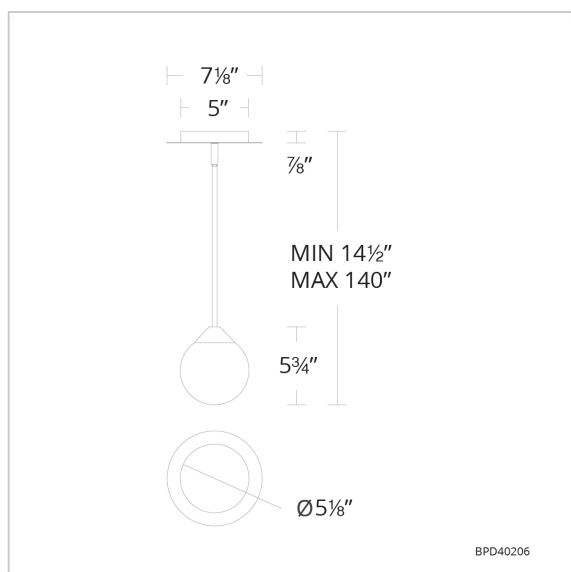


Quest

BPD40206



LINE DRAWING



Project:

Location:

Fixture Type:

Catalog Number:

DESCRIPTION

Crystal ball patterned to offer enhanced illumination. This Schonbek Optic Haze Quartz sphere projects omnidirectional high quality LED illumination for an astonishing, graceful aesthetic.

FEATURES

- Optic Haze™, made of natural quartz, has unique variations in luster, hue, patterning and texture inherent to this material. When illuminated, the dimension of the crystal is beautifully accented.
- Built in color temperature adjustability. Switch from 3000K/3500K/4000K. Switch may be installed in junction box.
- Three 12" and one 6" down rods included (additional sold separately)
- Can be mounted on a sloped ceiling.
- Driver concealed within the fixture

CRYSTAL OPTIONS



Optic Haze
Quartz
(OH)

FINISH OPTIONS



Aged Brass
(-AB)



Black
(-BK)



Brushed
Nickel
(-BN)

SPECIFICATIONS

| | |
|--------------|--------------------|
| Light Source | LED |
| CRI | 90 |
| Dimming | ELV, Triac |
| Standards | ETL/cETL, Title 24 |

REPLACEMENT PARTS

- RPL-RODIN12-886-AB - 12" Rod (AB)
- RPL-RODIN06-886-AB - 6" Rod (AB)
- RPL-GLA-40206 - Replacement Cloudy Crystal
- RPL-RODIN12-886-BK - 12" Rod (BK)
- RPL-RODIN06-886-BK - 6" Rod (BK)
- RPL-RODIN12-886-BN - 12" Rod (BN)
- RPL-RODIN06-886-BN - 6" Rod (BN)

| Model | Crystal | Finish | Size | CCT | Voltage | Wattage | Weight | LED Lumens | Delivered Lumens |
|----------|---------|-------------------|------|-----------------------|-----------|---------|--------|------------|------------------|
| BPD40206 | OH | - AB - BK - BN | 6" | 3000K/3500K/ 4000K | 120V/277V | 5W | 7.3lbs | 313 | Up To 307 |

Example: BPD40206-AB