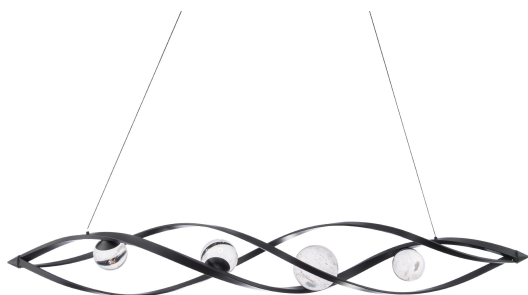
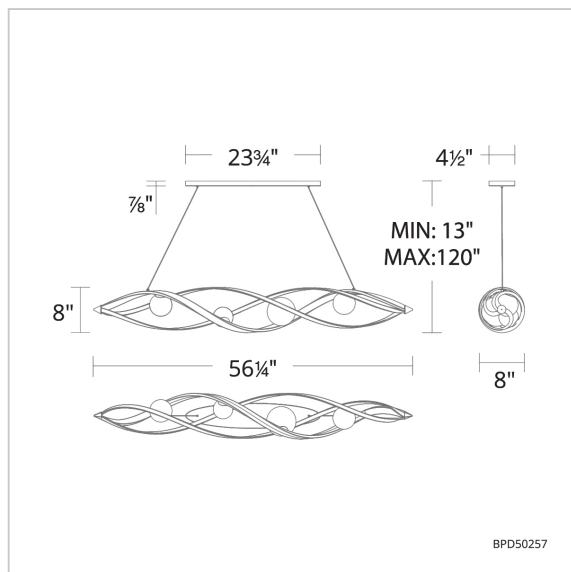


# Slipstream

BPD50257



## LINE DRAWING



Project:

Location:

Fixture Type:

Catalog Number:

## DESCRIPTION

Like a current of air, Slipstream is modern, graceful and stylishly curved with seamless spatial flow. This extraordinary luminaire adds a twist of matte black metal with Optic Haze Quartz orbs, composed of natural quartz gemstone, to radiate captivatingly and enhance your room with a unique look and personality.

## FEATURES

- Optic Haze<sup>®</sup>, made of natural quartz, has unique variations in luster, hue, patterning and texture inherent to this material. When illuminated, the dimension of the crystal is beautifully accented.
- Built in color temperature adjustability. Switch from 3000K/3500K/4000K. Switch may be installed in junction box.
- Thin powered aircraft cables provide an ultra clean look for adjustable suspension height.
- Spin-on round canopy with minimal hardware.
- Can be mounted on a sloped ceiling.
- Driver concealed within the fixture

## CRYSTAL OPTIONS



Optic Haze<sup>®</sup>  
Quartz  
(OH)

## FINISH OPTIONS



Black  
(-BK)

## SPECIFICATIONS

**Light Source** LED  
**Dimming** ELV, 0-10V, Triac  
**Standards** ETL/cETL

## REPLACEMENT PARTS

RPL-GLA-50257-03 - Crystal (110mm)  
RPL-GLA-50257-02 - Crystal (100mm)  
RPL-GLA-50257-01 - Crystal (90mm)

Model	Crystal	Finish	Size	CCT	Voltage	Wattage	Weight	LED Lumens	Delivered Lumens
BPD50257	OH	- BK	56"	3000K/3500K/ 4000K	120V-277V	25W	21lbs	2875	Up To 739

Example: BPD50257-BK