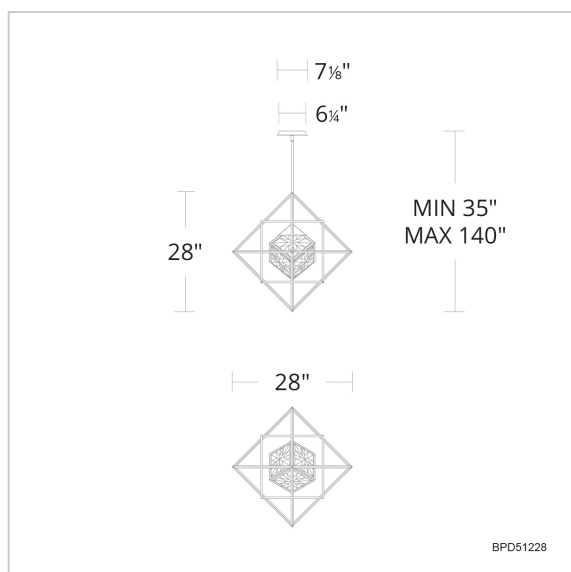


# Heracles

BPD51228



## LINE DRAWING



Project:

Location:

Fixture Type:

Catalog Number:

## DESCRIPTION

A geometric phenom with striking depth and dimension. This stunning modern design showcases an illuminated faceted Optic Crystal cube within tumbling cubes, like high-roller dice.

## FEATURES

- Built in color temperature adjustability. Switch from 3000K/3500K/4000K. Switch may be installed in junction box.
- Three 12" and one 6" down rods included (additional sold separately)
- Hangstraight swivel.
- Can be mounted on a sloped ceiling.
- Driver concealed within the fixture

## CRYSTAL OPTIONS



Optic Crystal  
(O)

## FINISH OPTIONS



Black  
(-BK)

## SPECIFICATIONS

Light Source	LED
CRI	90
Dimming	ELV,0-10V, Triac
Standards	ETL/cETL, Title 24

## REPLACEMENT PARTS

RPL-GLA-51228-02 - Crystal B  
 RPL-GLA-51228-01 - Crystal A  
 RPL-ROD-IN12-BK-01 - 12" Rod (BK)  
 RPL-ROD-IN06-BK-01 - 6" Rod (BK)

Model	Crystal	Finish	Size	CCT	Voltage	Wattage	Weight	LED Lumens	Delivered Lumens
BPD51228	O	- BK	28"	3000K/3500K/ 4000K	120V-277V	18W	15lbs	1200	Up To 400

Example: BPD51228-BK