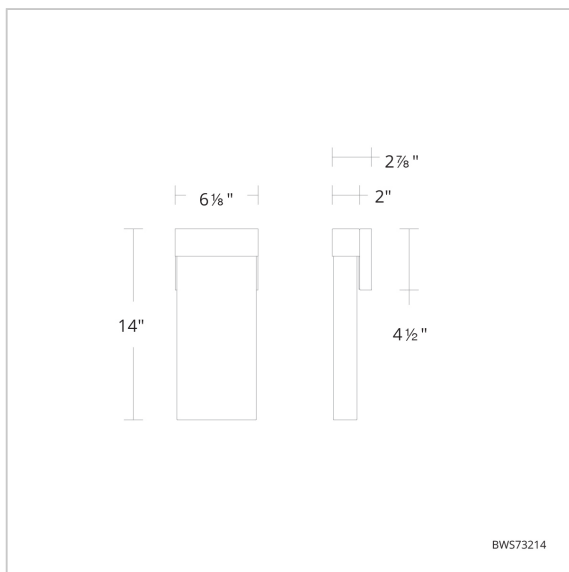


Glacio

BWS73214



LINE DRAWING



Project:

Location:

Fixture Type:

Catalog Number:

DESCRIPTION

Accentuating the veining in the Schonbek Optic Haze Quartz, LEDs highlight the unique patterning throughout for comfortable ambient illumination. This wall luminaire speaks to an ethereal quality.

FEATURES

- Optic Haze™, made of natural quartz, has unique variations in luster, hue, patterning and texture inherent to this material. When illuminated, the dimension of the crystal is beautifully accented.
- Built in color temperature adjustability. Switch from 3000K/3500K/4000K. Switch may be installed in junction box.
- Can be mounted on wall vertically or upside down

CRYSTAL OPTIONS



Optic Haze
Quartz
(OH)

FINISH OPTIONS



Black
(-BK)

SPECIFICATIONS

Light Source	LED
CRI	90
Dimming	ELV, Triac
Standards	ETL/cETL, Title 24

Model	Crystal	Finish	Size	CCT	Voltage	Wattage	Weight	LED Lumens	Delivered Lumens
BWS73214	OH	- BK	14"	3000K/3500K/ 4000K	120V	11W	12.8lbs	832	Up To 779

Example: BWS73214-BK