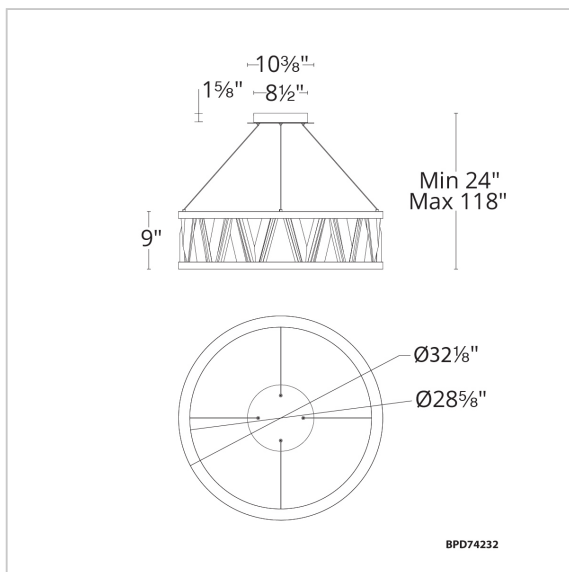


Corinth

BPD74232



LINE DRAWING



Project:

Location:

Fixture Type:

Catalog Number:

DESCRIPTION

Adorned with with large trillion-diamond shaped Schonbek Optic Haze Quartz that mimic natural quartz gemstones. Corinth is a new statement on crystal. Hidden light sources and powered aircraft cables elevate a conservative profile with intrigue and technology. The solid double ring body is finished in quartz haze and deploys ambient up lighting.

FEATURES

- Optic Haze™, made of natural quartz, has unique variations in luster, hue, patterning and texture inherent to this material. When illuminated, the dimension of the crystal is beautifully accented.
- Built in color temperature adjustability. Switch from 3000K/3500K/4000K. Switch may be installed in junction box.
- Thin powered aircraft cables provide an ultra clean look for adjustable suspension height.
- Spin-on round canopy with minimal hardware.
- Can be mounted on a sloped ceiling.
- Driver concealed within the fixture

CRYSTAL OPTIONS



Optic Haze
Quartz
(OH)

FINISH OPTIONS



Aged Brass
(-AB)



Black
(-BK)

SPECIFICATIONS

Light Source	LED
CRI	90
Dimming	ELV,0-10V, Triac
Standards	ETL/cETL, Title 24

REPLACEMENT PARTS

RPL-GLA-74232 - Replacement Optic Haze Crystal

Model	Crystal	Finish	Size	CCT	Voltage	Wattage	Weight	LED Lumens	Delivered Lumens
BPD74232	OH	- AB - BK	32"	3000K/3500K/ 4000K	120V-277V	56W	44lbs	1589	Up To 1000

Example: BPD74232-AB