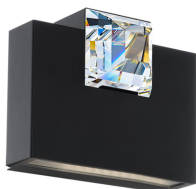
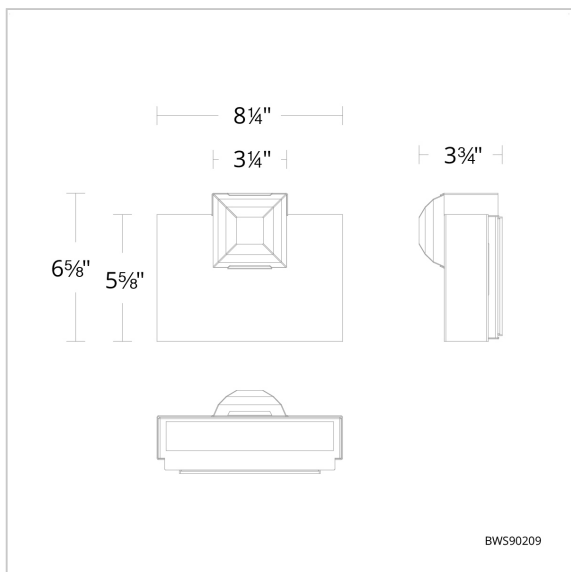


Madison

BWS90209



LINE DRAWING



Project:

Location:

Fixture Type:

Catalog Number:

DESCRIPTION

Shining like an eye catching princess-cut diamond. A feature faceted Swarovski® Crystal accent is internally illuminated to create a refractive effect on the wall. Additional downward LEDs provide wayfinding illumination. Handsome in black, white and titanium. A bright jewel box.

FEATURES

- Built in color temperature adjustability. Switch from 3000K/3500K/4000K. Switch may be installed in junction box.
- Ambient and down illumination.

CRYSTAL OPTIONS



Crystals from Swarovski® (S)

FINISH OPTIONS



Black (-BK)



Titanium (-TT)



White (-WT)

SPECIFICATIONS

Light Source	LED
CRI	90
Dimming	ELV, Triac
Standards	ETL/cETL, Title 24

Model	Crystal	Finish	Size	CCT	Voltage	Wattage	Weight	LED Lumens	Delivered Lumens
BWS90209	S	- BK - TT - WT	8"	3000K/3500K/ 4000K	120V/277V	11W	4.4lbs	1024	Up To 340

Example: BWS90209-BK