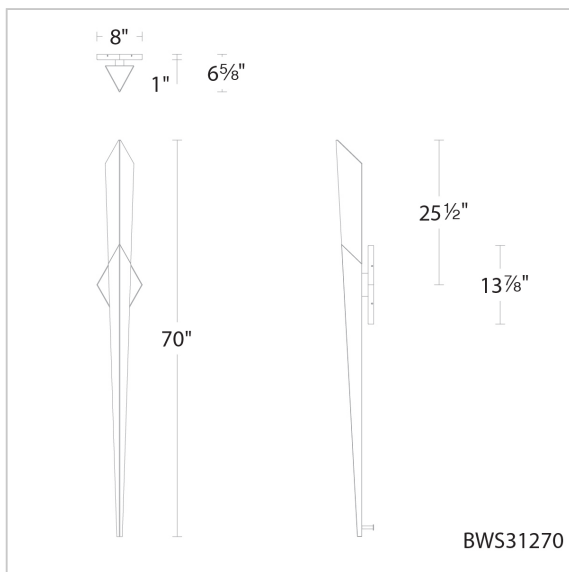


# Solitude

BWS31270



## LINE DRAWING



**Project:**

---

**Location:**

---

**Fixture Type:**

---

**Catalog Number:**

---

## DESCRIPTION

Luxuriously crafted and beautifully designed to add dramatic character to any space, a spear of Optic Haze Quartz composed of natural quartz gemstone illuminates and gravitates with bolts of luminous energy.

## FEATURES

- Optic Haze™, made of natural quartz, has unique variations in luster, hue, patterning and texture inherent to this material. When illuminated, the dimension of the crystal is beautifully accented.
- Built in color temperature adjustability. Switch from 3000K/3500K/4000K. Switch may be installed in junction box.
- Driver concealed within the canopy

## CRYSTAL OPTIONS



Optic Haze  
Quartz  
(OH)

## FINISH OPTIONS



Aged Brass  
(-AB)



Antique  
Nickel  
(-AN)

## SPECIFICATIONS

<b>Light Source</b>	LED
<b>CRI</b>	90
<b>Dimming</b>	ELV, Triac
<b>Standards</b>	ETL/cETL, Title 24

## REPLACEMENT PARTS

RPL-GLA-31270 - Replacement Crystal BWS31270

Model	Crystal	Finish	Size	CCT	Voltage	Wattage	Weight	LED Lumens	Delivered Lumens
BWS31270	OH	- AB - AN	70"	3000K/3500K/ 4000K	120V/277V	28W	21.3lbs	1650	Up To 1242

**Example: BWS31270-AB**