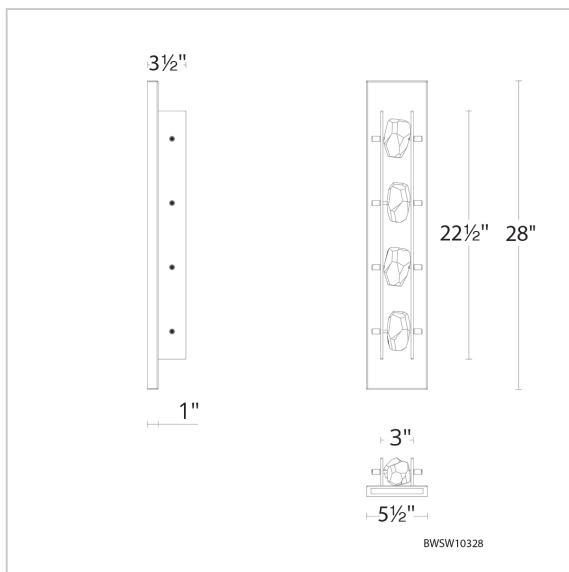


# Strata

## BWSW10328



### LINE DRAWING



**Project:**

**Location:**

**Fixture Type:**

**Catalog Number:**

### DESCRIPTION

Mixed materials devise a textured aesthetic. A single brilliant Optic Haze Quartz pendant suspended from leather strapping and chrome reflects light in all directions. The sparkle is enhanced by a crystal-encrusted canopy.

### FEATURES

- Optic Haze™, made of natural quartz, has unique variations in luster, hue, patterning and texture inherent to this material. When illuminated, the dimension of the crystal is beautifully accented.
- Specifically formulated using powder coat to resist UV and coastal environmental conditions, providing a long-lasting finish with premium 316 marine grade stainless steel hardware
- Built in color temperature adjustability. Switch from 3000K/3500K/4000K. Switch may be installed in junction box.
- Ambient and down illumination
- Can be mounted on wall vertically or upside down
- Driver concealed within the canopy

### CRYSTAL OPTIONS



Optic Haze  
Quartz  
(OH)

### FINISH OPTIONS



Black  
(-BK)

### SPECIFICATIONS

<b>Light Source</b>	LED
<b>CRI</b>	90
<b>Dimming</b>	ELV, Triac
<b>Standards</b>	ETL/cETL

### REPLACEMENT PARTS

RPL-GLA-10328-B - Replacement "B" Crystal  
RPL-GLA-10328-A - Replacement "A" Crystal

Model	Crystal	Finish	Size	CCT	Voltage	Wattage	Weight	LED Lumens	Delivered Lumens
BWSW10328	OH	- BK	28"	3000K/3500K/ 4000K	120V/277V	14W	11.3lbs	339	Up To 271

**Example: BWSW10328-BK**