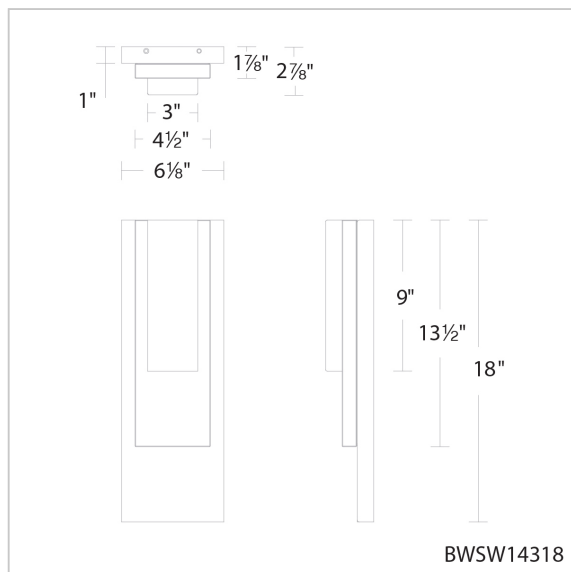


Vail

BWSW14318



LINE DRAWING



Project:

Location:

Fixture Type:

Catalog Number:

DESCRIPTION

Precisely cut Optic Haze Quartz is framed by planes of opaque matte metal. LED illumination reflects off a mirror-like stainless steel backplate, casting light through the crystal and highlighting its unique patterning.

FEATURES

- Optic Haze™, made of natural quartz, has unique variations in luster, hue, patterning and texture inherent to this material. When illuminated, the dimension of the crystal is beautifully accented.
- Specifically formulated using powder coat to resist UV and coastal environmental conditions, providing a long-lasting finish with premium 316 Marine mirror grade stainless steel plate and hardware
- Built in color temperature adjustability. Switch from 3000K/3500K/4000K. Switch may be installed in junction box.
- Ambient and down illumination
- Driver concealed within the canopy

CRYSTAL OPTIONS



Optic Haze
Quartz
(OH)

FINISH OPTIONS



Black
(-BK)

SPECIFICATIONS

Light Source	LED
CRI	90
Dimming	ELV, Triac
Standards	ETL/cETL

Model	Crystal	Finish	Size	CCT	Voltage	Wattage	Weight	LED Lumens	Delivered Lumens
BWSW14318	OH	- BK	18"	3000K/3500K/ 4000K	120V/277V	10W	9lbs	700	Up To 231

Example: BWSW14318-BK