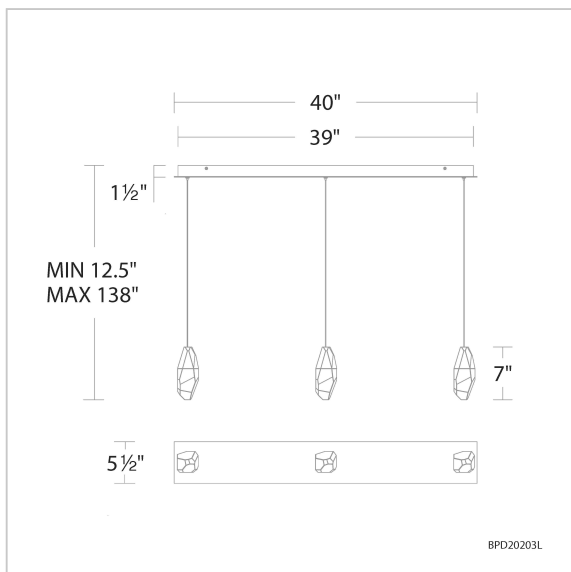


# Martini

## BPD20203L



### LINE DRAWING



Project:

Location:

Fixture Type:

Catalog Number:

### DESCRIPTION

A shower of jewels. Suspended in mid-air, Schonbek Optic Crystal and Optic Haze Quartz elements composed of natural quartz gemstone illuminate at varying heights to entice. Cascading from above and perfectly designed to make a powerful yet elegant statement.

### FEATURES

- Linear Canopy available in 3, 5, 14, 23 Light configurations
- 3CCT adjustability switch. Set from 3000K/3500K/4000K
- Thin, powered aircraft cables provide adjustable suspension height for an ultra-clean look
- Can be mounted on a sloped ceiling.
- Driver concealed within the canopy

### CRYSTAL OPTIONS



Optic Haze  
Quartz  
(OH)



Optic Crystal  
(O)

### FINISH OPTIONS



Polished  
Nickel  
(-PN)



Aged Brass  
(-AB)



Black  
(-BK)

### SPECIFICATIONS

Light Source	LED
CRI	90
Dimming Standards	ELV, 0-10V, Triac ETL/cETL, Title 24

### REPLACEMENT PARTS

RPL-GLA-20207OH - Optic Haze Replacement Crystal  
RPL-GLA-20207O - Optic Replacement Crystal

Model	Crystal	Finish	# of Lights	CCT	Voltage	Wattage	Weight	LED Lumens	Delivered Lumens
BPD20203L	OH O	- AB - BK - PN	3 Light	3000K/3500K/ 4000K	120-277V	23W	18.23lbs	1800	Up To 1407

Example: BPD20203LOH-PN