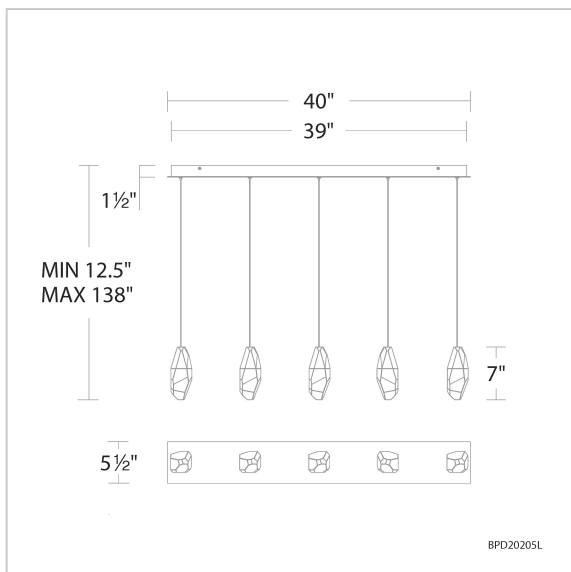


Martini

BPD20205L



LINE DRAWING



Project:

Location:

Fixture Type:

Catalog Number:

DESCRIPTION

A shower of jewels. Suspended in mid-air, Schonbek Optic Crystal and Optic Haze® Quartz elements composed of natural quartz gemstone illuminate at varying heights to entice. Cascading from above and perfectly designed to make a powerful yet elegant statement.

FEATURES

- Linear Canopy available in 3, 5, 14, 23 Light configurations
- 3CCT adjustability switch. Set from 3000K/3500K/4000K
- Thin, powered aircraft cables provide adjustable suspension height for an ultra-clean look
- Can be mounted on a sloped ceiling.
- Driver concealed within the canopy

CRYSTAL OPTIONS



Optic Haze®
Quartz
(OH)



Optic Crystal
(O)

FINISH OPTIONS



Aged Brass
(-AB)



Black
(-BK)



Polished Nickel
(-PN)

SPECIFICATIONS

Light Source	LED
Dimming	ELV, 0-10V, Triac
Standards	ETL/cETL, Title 24

REPLACEMENT PARTS

- RPL-GLA-20207OH - Optic Haze Replacement Crystal
- RPL-GLA-20207O - Optic Replacement Crystal

Model	Crystal	Finish	# of Lights	CCT	Voltage	Wattage	Weight	LED Lumens	Delivered Lumens
BPD20205L	OH O	- AB - BK - PN	5 Light	3000K/3500K/ 4000K	120V-277V	40W	24.01lbs	3000	Up To 2345

Example: BPD20205LOH-AB