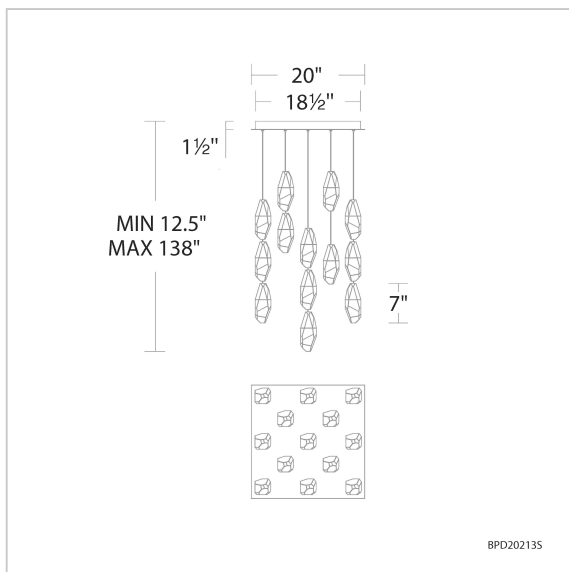


# Martini

## BPD20213S



### LINE DRAWING



**Project:**

---

**Location:**

---

**Fixture Type:**

---

**Catalog Number:**

---

### DESCRIPTION

A shower of jewels. Suspended in mid-air, Schonbek Optic Crystal and Optic Haze® Quartz elements composed of natural quartz gemstone illuminate at varying heights to entice. Cascading from above and perfectly designed to make a powerful yet elegant statement.

### FEATURES

- Square Canopy available in 13, 25, 41 Light configurations
- 3CCT adjustability switch. Set from 3000K/3500K/4000K
- Thin, powered aircraft cables provide adjustable suspension height for an ultra-clean look
- Can be mounted on a sloped ceiling.
- Driver concealed within the canopy

### CRYSTAL OPTIONS



Optic Crystal  
(O)



Optic Haze®  
Quartz  
(OH)

### FINISH OPTIONS



Polished  
Nickel  
(-PN)



Black  
(-BK)



Aged Brass  
(-AB)

### SPECIFICATIONS

<b>Light Source</b>	LED
<b>Dimming</b>	ELV,0-10V, Triac
<b>Standards</b>	ETL/cETL, Title 24

### REPLACEMENT PARTS

- RPL-GLA-20207OH - Optic Haze Replacement Crystal
- RPL-GLA-20207O - Optic Replacement Crystal

Model	Crystal	Finish	# of Lights	CCT	Voltage	Wattage	Weight	LED Lumens	Delivered Lumens
BPD20213S	O OH	- AB - BK - PN	13 Light	3000K/3500K/ 4000K	120V-277V	90W	54.26lbs	7800	Up To 6097

Example: BPD20213SO-PN