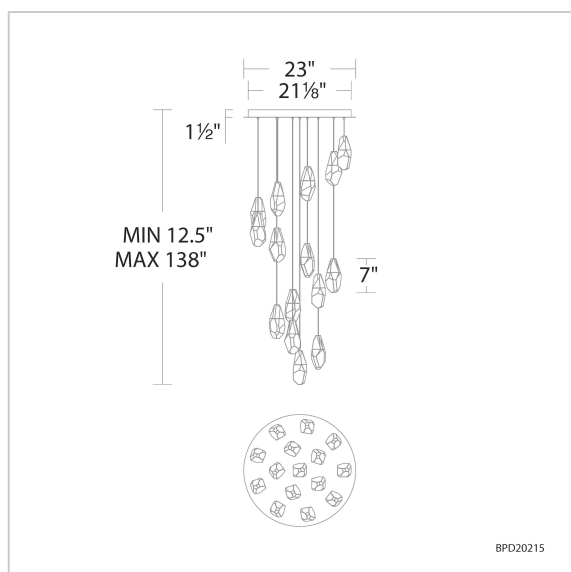


# Martini

## BPD20215



### LINE DRAWING



**Project:**

**Location:**

**Fixture Type:**

**Catalog Number:**

### DESCRIPTION

A shower of jewels. Suspended in mid-air, Schonbek Optic Crystal and Optic Haze Quartz elements composed of natural quartz gemstone illuminate at varying heights to entice. Cascading from above and perfectly designed to make a powerful yet elegant statement.

### FEATURES

- Round Canopy available in 3, 5, 9, 15, 21 Light configurations
- 3CCT adjustability switch. Set from 3000K/3500K/4000K
- Thin, powered aircraft cables provide adjustable suspension height for an ultra-clean look
- Can be mounted on a sloped ceiling.
- Driver concealed within the canopy

### CRYSTAL OPTIONS



Optic Crystal  
(O)



Optic Haze®  
Quartz  
(OH)

### FINISH OPTIONS



Aged Brass  
(-AB)



Polished  
Nickel  
(-PN)



Black  
(-BK)

### SPECIFICATIONS

<b>Light Source</b>	LED
<b>Dimming</b>	ELV,0-10V, Triac
<b>Standards</b>	ETL/cETL, Title 24

### REPLACEMENT PARTS

RPL-GLA-20207O - Optic Replacement Crystal  
RPL-GLA-20207OH - Optic Haze Replacement Crystal

Model	Crystal	Finish	# of Lights	CCT	Voltage	Wattage	Weight	LED Lumens	Delivered Lumens
BPD20215	O OH	- AB - BK - PN	15 Light	3000K/3500K/ 4000K	120V-277V	115W	59.52lbs	9000	Up To 7035

Example: BPD20215O-AB