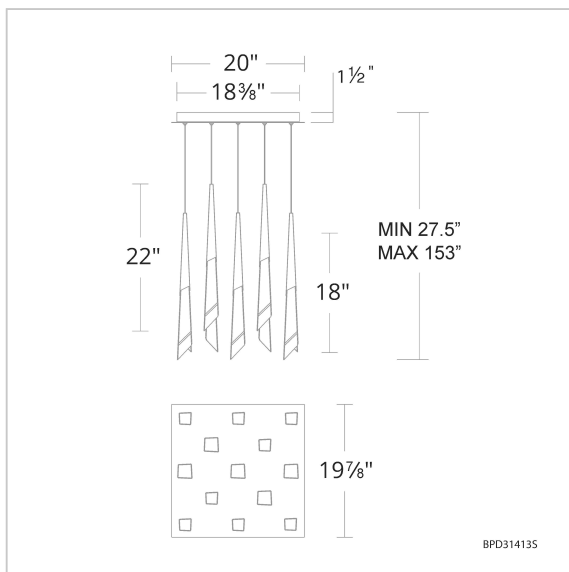


# Solitude

BPD31413S



## LINE DRAWING



Project:

Location:

Fixture Type:

Catalog Number:

## DESCRIPTION

Luxuriously crafted and beautifully designed to add dramatic character to any space, a spear of Optic Haze® Quartz composed of natural quartz gemstone illuminates and gravitates with bolts of luminous energy.

## FEATURES

- Square Canopy available in 13, 25, 41 Light configurations
- Optic Haze® Quartz includes unique variations in luster, hue, and patterning
- 3CCT adjustability switch. Set from 3000K/3500K/4000K
- Thin, powered aircraft cables provide adjustable suspension height for an ultra-clean look
- Can be mounted on a sloped ceiling.
- Driver concealed within the canopy

## CRYSTAL OPTIONS



Optic Haze®  
Quartz  
(OH)

## FINISH OPTIONS



Aged Brass  
(-AB)



Antique  
Nickel  
(-AN)

## SPECIFICATIONS

<b>Light Source</b>	LED
<b>Dimming</b>	ELV,0-10V, Triac
<b>Standards</b>	ETL/cETL

## REPLACEMENT PARTS

RPL-GLA-31419S - Replacement Crystal 1  
RPL-GLA-31419L - Replacement Crystal 2

Model	Crystal	Finish	# of Lights	CCT	Voltage	Wattage	Weight	LED Lumens	Delivered Lumens
BPD31413S	OH	- AB - AN	13 Light	3000K/3500K/ 4000K	120V-277V	113W	55.03lbs	4575	Up To 2947

Example: BPD31413S-AB