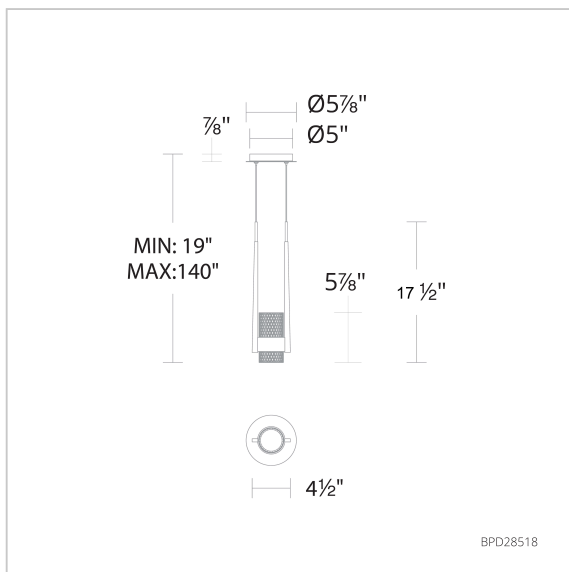


Cadenza

BPD28518



LINE DRAWING



Project:

Location:

Fixture Type:

Catalog Number:

DESCRIPTION

Iconic. The Cadenza mini crystal pendant light brings an Art Deco flair from cut Optic Crystal accented by striking metallic geometry. Radiance® Crystal Dust facets inside the linear crystal elements filter the LED illumination, creating a dazzling warmth that transforms any space into a showstopper.

FEATURES

- Can be mounted on a sloped ceiling.
- Driver concealed within the canopy

CRYSTAL OPTIONS



Radiance®
Crystal Dust
(RD)

FINISH OPTIONS



Aged Brass
(-AB)



Antique
Nickel
(-AN)

SPECIFICATIONS

Light Source	LED
Dimming	ELV,0-10V, Triac
Standards	ETL/cETL, Title 24

REPLACEMENT PARTS

RPL-GLA-28518-04 - Bottom Replacement Crystal AB
 RPL-GLA-28518-03 - Top Replacement Crystal AB
 RPL-GLA-28518-02 - Bottom Replacement Crystal AN
 RPL-GLA-28518-01 - Top Replacement Crystal AN

Model	Crystal	Finish	Size	CCT	Voltage	Wattage	Weight	LED Lumens	Delivered Lumens
BPD28518	RD	- AB - AN	18"	3000K/3500K/ 4000K/5000K	120V/277V	15W	5lbs	1500	Up To 1065.5

Example: BPD28518-AB