

Lanie

BWSW52516

Project: _____

Location: _____

Fixture Type: _____

Catalog Number: _____

FEATURES

- Can be mounted on wall vertically or horizontally
- Driver concealed within the fixture

CRYSTAL OPTIONS



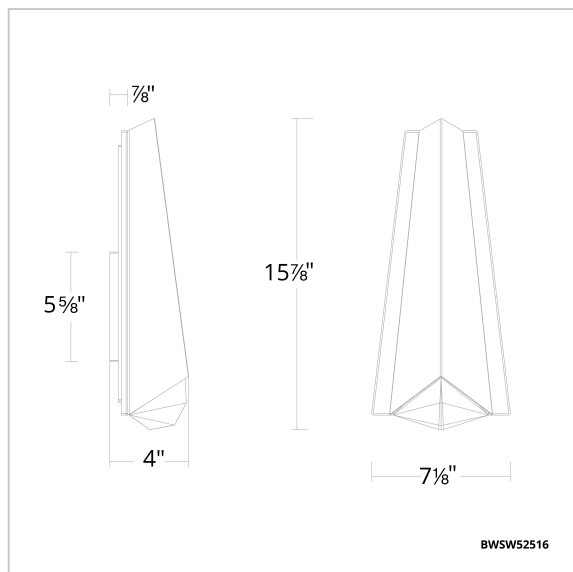
Optic Crystal
(O)

FINISH OPTIONS



Black
(-BK)

LINE DRAWING



SPECIFICATIONS

Light Source	LED
CRI	90
Dimming	ELV, Triac
Standards	ETL/cETL

REPLACEMENT PARTS

RPL-GLA-52516 - Replacement Crystal

Model	Crystal	Finish	Size	CCT	Voltage	Wattage	Weight	LED Lumens	Delivered Lumens
BWSW52516	O	- BK	16"	3000K/3500K/ 4000K/5000K	120/277V	15W	0lbs	1000	Up To 540

Example: BWSW52516-BK