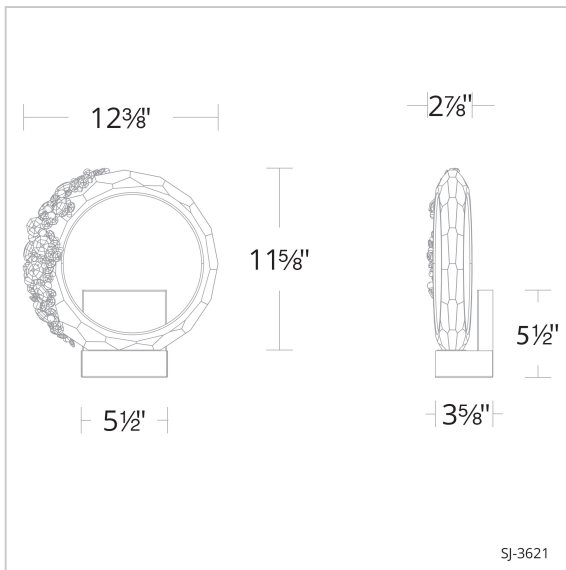


Serenity

SJ3621



LINE DRAWING



DESCRIPTION

A sparkling faceted ring embraced by Radiance Crystal and gleaming Swarovski Pearls captures the essence of these enticing designs.

FEATURES

- Hand applied Schonbek Radiance® crystal and Swarovski Pearls
- Built in color temperature adjustability. Switch from 3000K/3500K/4000K. Switch may be installed in junction box.
- Ambient and down illumination
- Driver concealed within the canopy

CRYSTAL OPTIONS



Radiance®
Crystal
(R)

FINISH OPTIONS



Polished
Chrome
(-702)

SPECIFICATIONS

Light Source Standards	LED ETL/cETL, Title 24
-------------------------------	---------------------------

Model	Finish	Crystal	Size	CCT	Weight	Voltage	Wattage	LED Lumens	Delivered Lumens
SJ3621	- 702	R	14"	3000K/3500K/ 4000K	10lbs	120V-277V	15W	819	Up To 532

Example: SJ3621-702R