

Serenity

SJ3611



DESCRIPTION

A sparkling faceted ring embraced by Radiance Crystal and gleaming Swarovski Pearls captures the essence of these enticing designs.

FEATURES

- Hand applied Schonbek Radiance crystal and Swarovski Pearls
- Luxurious braided nylon rope suspension available in three colors with orientation aligning ring near the canopy
- Optional Title 24 SKU available (special order)
- Built in color temperature adjustability. Switch from 3000K/3500K/4000K.
- Can be mounted on a sloped ceiling.
- Driver concealed within the canopy

CRYSTAL OPTIONS



Radiance
Crystal
(R)

ROPE OPTIONS

Black Rope
(RBL)

Gold Rope
(RGO)

Red Rope
(RRE)

FINISH OPTIONS



Polished
Chrome
(-702)

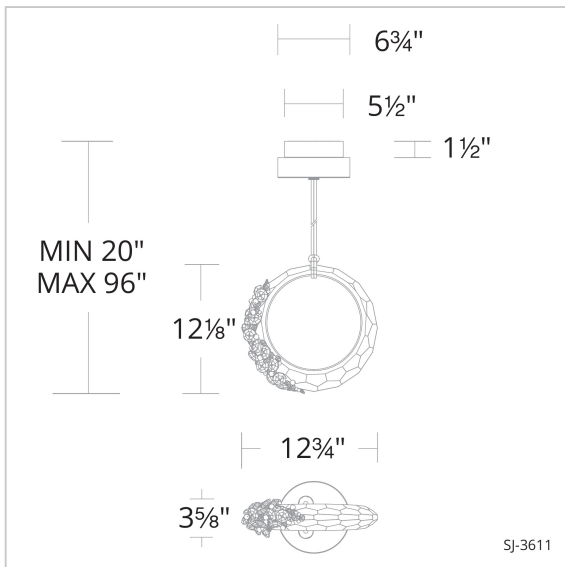
SPECIFICATIONS

Light Source	LED
Standards	ETL/cETL

REPLACEMENT PARTS

RPL-S23-RRE - Red Rope
RPL-S23-RGO - Gold Rope
RPL-S23-RBL - Black Rope

LINE DRAWING



Model	Finish	Crystal	Size	CCT	Weight	Voltage	Wattage	LED Lumens	Delivered Lumens
SJ3611	- 702	R	12"	3000K/3500K/ 4000K	14lbs	120V-277V	38W	2800	Up To 2400

Example: SJ3611-RRE702R