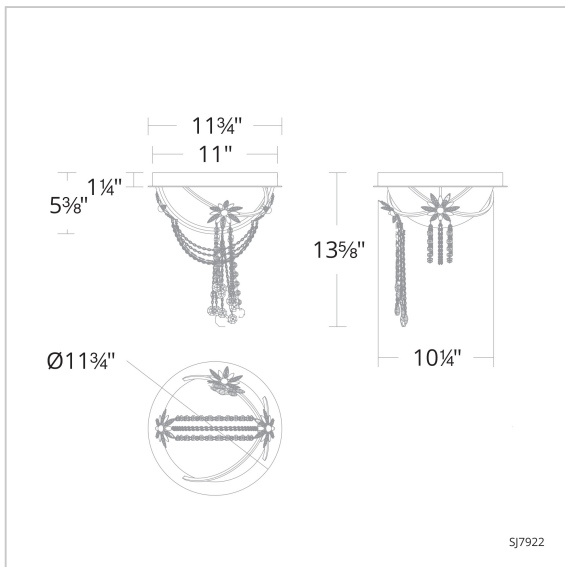


Revere

SJ7922



LINE DRAWING



DESCRIPTION

Braided mesh chains and bonds of gold capture an orb topped with tiny jewels of Radiance Crystal Dust, spreading light throughout space.

FEATURES

- Mouth blown glass with integrated LED
- Hand pinned Schonbek Radiance trim and hand formed accents
- Built-in color temperature adjustability switch from 3000K/3500K/4000K (at time of installation)
- Comes with one 11" Optic glass feature

CRYSTAL OPTIONS



Radiance
Crystal
(R)

FINISH OPTIONS



Heirloom
Gold
(-22)

SPECIFICATIONS

Light Source Standards	LED ETL/cETL, Title 24
------------------------	---------------------------

Model	Finish	Crystal	Size	CCT	Weight	Voltage	Wattage	LED Lumens	Delivered Lumens
SJ7922	- 22	R	12"	3000K/3500K/ 4000K	16lbs	120V	15W	1400	Up To 1328

Example: SJ7922-22R