

Seduction

SJ4332



DESCRIPTION

Bound by lustrous metallic cuffs, a glittering chain of Radiance™ Crystal Dust beads create endless luxe scenarios.

FEATURES

- Driver concealed within the canopy

CRYSTAL OPTIONS



Radiance®
Crystal
(R)

FINISH OPTIONS

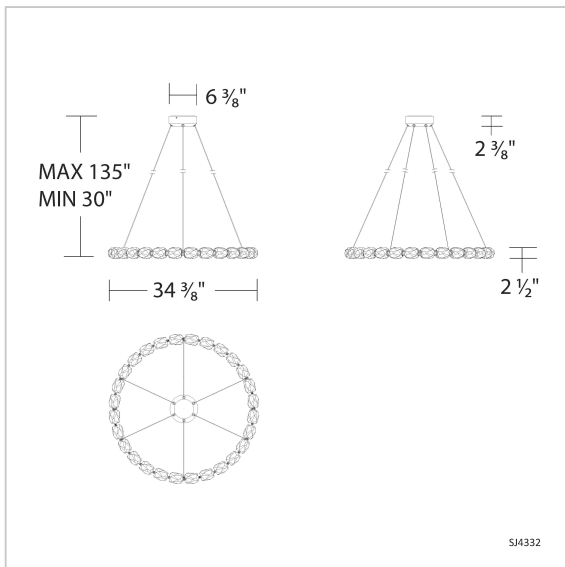


Polished
Nickel
(-701)



Aged Brass
(-700)

LINE DRAWING



SPECIFICATIONS

Light Source	LED
Standards	ETL/cETL

Model	Finish	Crystal	# of Lights	CCT	Weight	Voltage	Wattage	LED Lumens	Delivered Lumens
SJ4332	- 700 - 701	R	28 Light	3000K/3500K/ 4000K	30lbs	120V-277V	47W	5534	Up To 5257

Example: SJ4332-701R