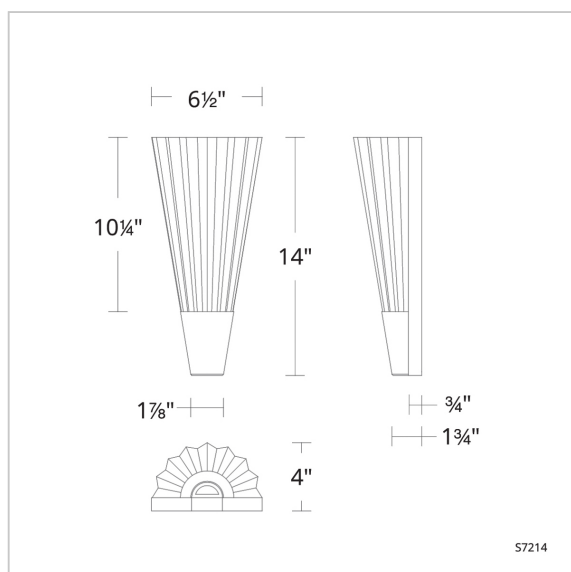


# Origami

## S7214



### LINE DRAWING



### DESCRIPTION

Calming and prescient, the Origami Collection proffers a simple elegance. Folds in the patterned hand-cut crystal glass shade act as prisms, bending the light to create breathtaking illumination from its integrated LEDs

### FEATURES

- Built in color temperature adjustability. Switch from 3000K/3500K/4000K. Switch may be installed in junction box.
- Driver concealed within the fixture

### CRYSTAL OPTIONS



Heritage  
Handcut Crystal  
(H)

### FINISH OPTIONS



Polished  
Chrome  
(-702)



Aged Brass  
(-700)

### SPECIFICATIONS

Light Source	LED
CRI	90
Dimming	ELV, Triac
Standards	ETL/cETL, Title 24

### REPLACEMENT PARTS

RPL-GLA-7214 - Replacement Crystal

Model	Finish	Crystal	Size	CCT	Weight	Voltage	Wattage	LED Lumens	Delivered Lumens
S7214	- 700 - 702	H	14"	3000K/3500K/ 4000K	6.9lbs	120V/277V	15W	275	Up To 229

Example: S7214-702H