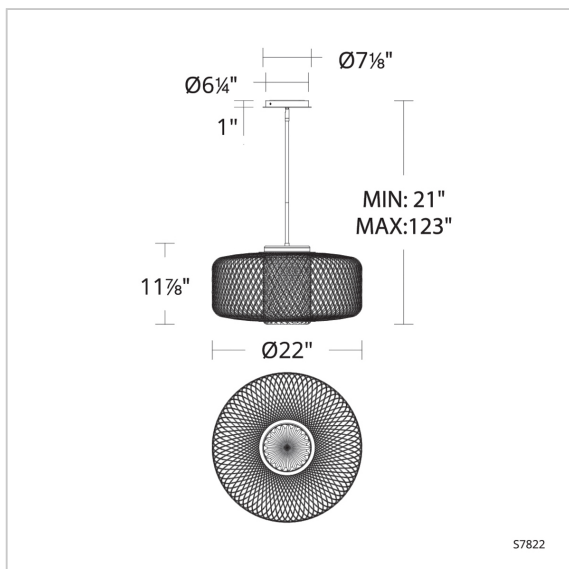


Kodo

S7822



LINE DRAWING



DESCRIPTION

With respect for nature as a model, where subtlety is the path to profound grace, Kodo lives up to the Japonisme tenets of wabi-sabi. A delicate patterned metallic lace shade envelops a glowing cut crystal center to convey the transient beauty of impermanence and reminds us to appreciate each moment.

FEATURES

- Built in color temperature adjustability. Switch from 3000K/3500K/4000K. Switch may be installed in junction box.
- Hangstraight swivel.
- Three 12" and one 6" down rods included (additional sold separately)
- Spin-on round canopy with minimal hardware.
- Can be mounted on a sloped ceiling.
- Driver concealed within the fixture

CRYSTAL OPTIONS



Heritage
Handcut®
Crystal
(H)

FINISH OPTIONS



Gold
(-706)



Black
(-18)

SPECIFICATIONS

Light Source	LED
Dimming	ELV, Triac
Standards	ETL/cETL, Title 24

REPLACEMENT PARTS

RPL-GLA-7822 - Replacement Glass

Model	Finish	Crystal	Size	CCT	Weight	Voltage	Wattage	LED Lumens	Delivered Lumens
S7822	- 18 - 706	H	22"	3000K/3500K/ 4000K	26.5lbs	120V-277V	30W	3200	Up To 2091

Example: S7822-706H