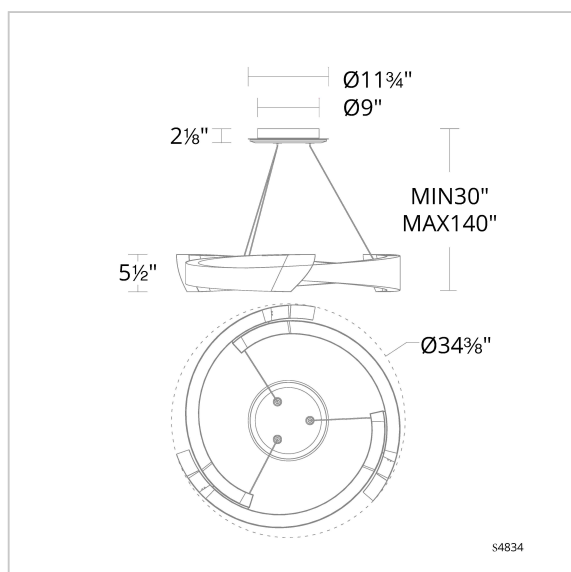


# Embrace

S4834



## LINE DRAWING



## DESCRIPTION

Envision icy comets with long trailing tails of cosmic matter moving across the night sky. Graduated to suggest orbital motion, swathes of metal forms are punctuated with heavenly blocks of Optic Haze Quartz and invisibly suspended from powered aircraft cables.

## FEATURES

- Optic Haze™, made of natural quartz, has unique variations in luster, hue, patterning and texture inherent to this material. When illuminated, the dimension of the crystal is beautifully accented.
- Built in color temperature adjustability. Switch from 3000K/3500K/4000K. Switch may be installed in junction box.
- Thin powered aircraft cables provide an ultra clean look for adjustable suspension height.
- Spin-on round canopy with minimal hardware with crystal accent
- Can be mounted on a sloped ceiling.
- Driver concealed within the canopy

## CRYSTAL OPTIONS



Optic Haze  
Quartz  
(OH)

## FINISH OPTIONS



Aged Brass  
(-700)



Black  
(-18)

## SPECIFICATIONS

<b>Light Source</b>	LED
<b>CRI</b>	90
<b>Dimming</b>	ELV, 0-10V, Triac
<b>Standards</b>	ETL/cETL, Title 24

Model	Finish	Crystal	Size	CCT	Weight	Voltage	Wattage	LED Lumens	Delivered Lumens
S4834	- 18 - 700	OH	34"	3000K/3500K/ 4000K	21lbs	120V-277V	40W	3500	Up To 2500

Example: S4834-700OH