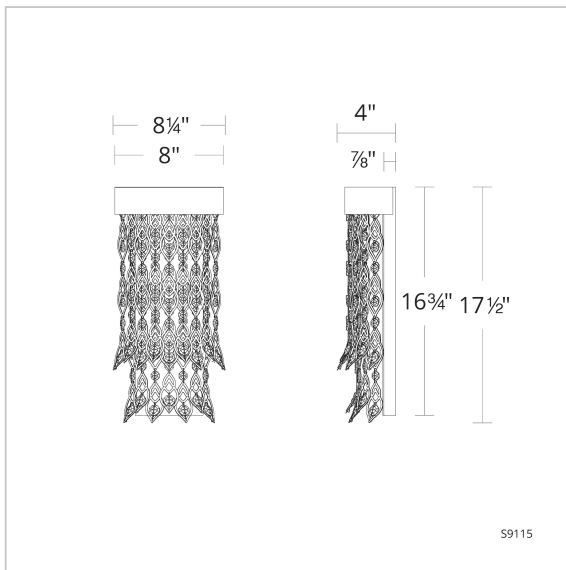


Pavona

S9115



LINE DRAWING



DESCRIPTION

Cascading with gleaming brilliance and glistening gemstones, Pavona showcases a central waterfall of ethereal perfection. Its frame is beautifully adorned with multifaceted Radiance® Crystal drops and delicately handcrafted, feather-like metallic accents to complete its mystical composition.

FEATURES

- Built in color temperature adjustability. Switch from 3000K/3500K/4000K/5000K. Switch may be installed in junction box.
- Hand formed metallic trim pieces are accented by Radiance® crystal octagons.
- Driver concealed within the fixture

CRYSTAL OPTIONS



Radiance®
Crystal
(R)

FINISH OPTIONS



Heirloom
Gold
(-22)



Antique Silver
(-48)



Tourmaline
(-82)

SPECIFICATIONS

Light Source
Standards

LED
ETL/cETL, Title 24

Model	Finish	Crystal	Size	CCT	Weight	Voltage	Wattage	LED Lumens	Delivered Lumens
S9115	- 22 - 48 - 82	R	18"	3000K/3500K/ 4000K/5000K	9lbs	120V/277V	21W	1221	Up To 804

Example: S9115-22R