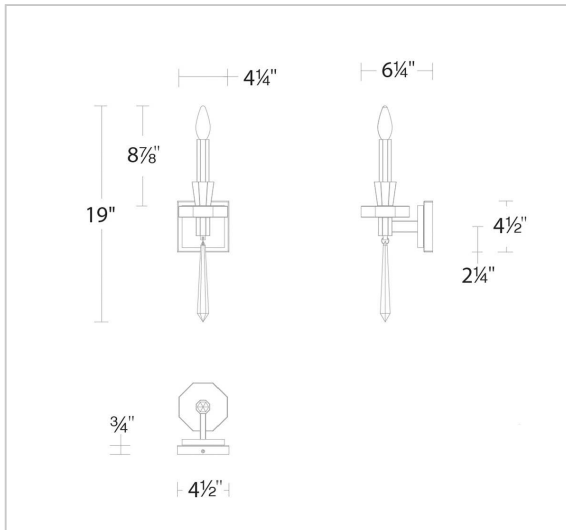


Amadeus

S9319



LINE DRAWING



DESCRIPTION

Reaching into the archives, what was old becomes new again. Amadeus narrowly escaped communist eradication to be reborn today. In honor of the bravery of the 3rd generation Schonbek family that smuggled this design into the Americas, we are proud to present this stunning revival.

FEATURES

- Optic Haze®, made of natural quartz, has unique variations in luster, hue, patterning and texture inherent to this material. When illuminated, the dimension of the crystal is beautifully accented.

AVAILABLE TRIM



Optic Haze®
Quartz
(OH)

AVAILABLE FINISHES



Black
(-51)



Antique Silver
(-48)



Heirloom
Gold
(-22)



Heirloom
Bronze
(-76)
Premium



Etruscan
Gold
(-23)
Premium



French Gold
(-26)
Premium

SPECIFICATIONS

Light Source Standards

Incandescent
UL/cUL

Model	Finish	Crystal	# of Lights	Voltage	Height	Width	Length	Weight
S9319	- 22 - 23 - 26 - 48 - 51 - 76	OH	1 Light	120V	19"	6.3"	4.5"	3.3lbs

Example: S9319-51OH